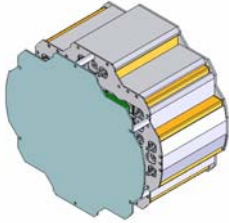
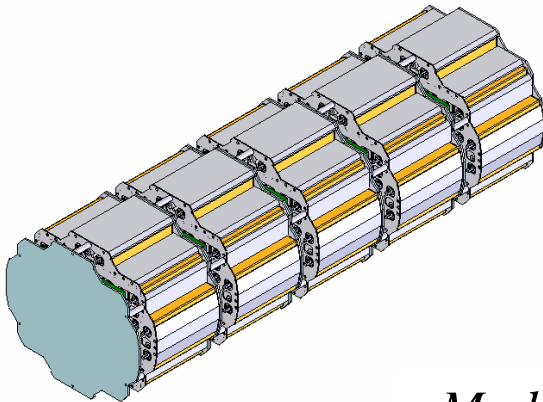




***Model 9535 Small-Profile
Modular UUV Battery
Lithium Ion***



Shown at left is an individual module, which can be joined to others to produce the required output voltage and energy storage capacities.



This diagram illustrates a battery constructed from five of the individual modules shown above.

Module Specifications

Nominal Output Voltage:	Typical: 72V
Continuous Output Current (max):	250 A
Ampere-hour Capacity:	25 Ah
Energy Storage Capacity:	1800 Wh @ 72V
Weight:	47.9 lbs @ 72V
Volume:	800 cu in (max. using 11.9" diameter)
Over-all Dimensions:	H: 10.53", W: 11.82", D: 7.2", Dia.: 11.9"
Operating Temperature Range:	-40°C to +60°C
Cell-level Energy Density:	250 Wh / liter
Cell-level Specific Energy:	105 Wh / kg
Cell-level Cycle Life:	>800 Cycles

Lithion, Inc.	PH: 860-599-1100
82 Mechanic Street	email: mkgmgr@lithion.com
Pawcatuck, CT 06379	www.lithion.com