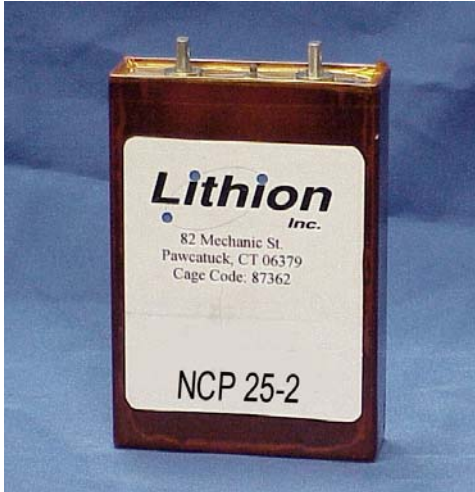
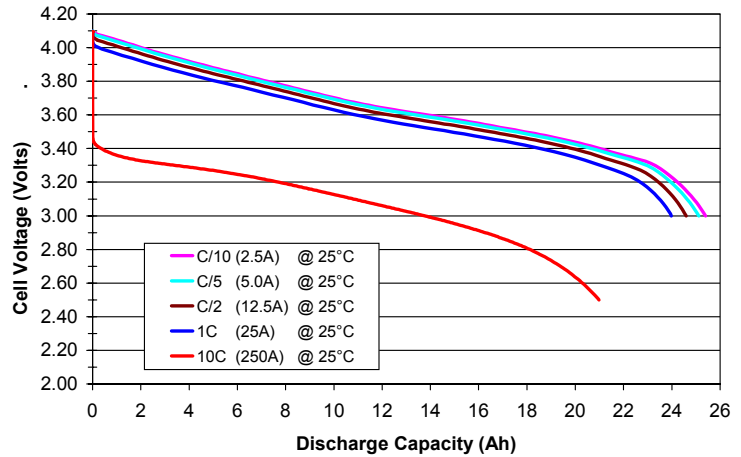




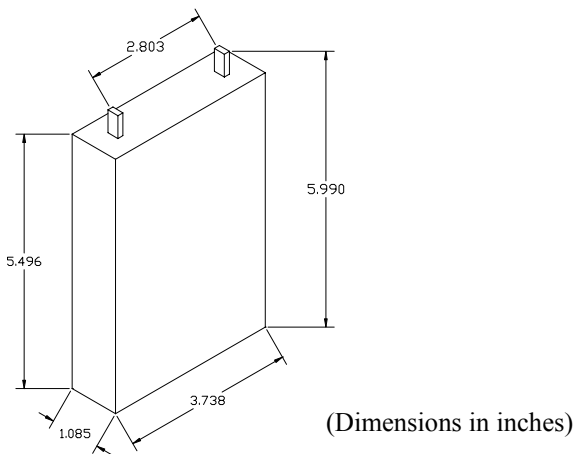
**Model NCP25-2**  
**3.6V, 25Ah High Rate, Low Temp.**  
**Lithium Ion Cell**



**Typical Discharge Curves**



**Physical Dimensions**



**Performance Data**

<b>Cathode:</b> Mixed Metal Oxide	<b>Nominal Voltage:</b> 3.6 VDC
<b>Anode:</b> Graphite	<b>Nominal Weight:</b> 0.908 kg
<b>Electrolyte:</b> EC:DMC:DEC:EMC	<b>Cycle Life:</b> > 800 Cycles
<b>Nominal Capacity:</b> 25 Ah @ C/5	<b>Energy Density:</b> 250 Wh/l
<b>Pulse Current:</b> 1250 A (0.1 sec.)	<b>Specific Energy:</b> 105 Wh/kg
<b>Continuous Current:</b> 250 A (20 deg. C)	<b>Coulombic Efficiency:</b> 99+%
<b>Dimensions: (mm)</b> 95W x 28T x 140H	<b>Fade Rate:</b> 0.02%/Cycle
<b>Operating Temperature Range:</b> -40C to +60C	

**Lithion, Inc.**  
**82 Mechanic St.**  
**Pawcatuck, CT 06379**  
**PH:(860) 599-1100 FAX: (860) 599-5122**  
**www.lithion.com**