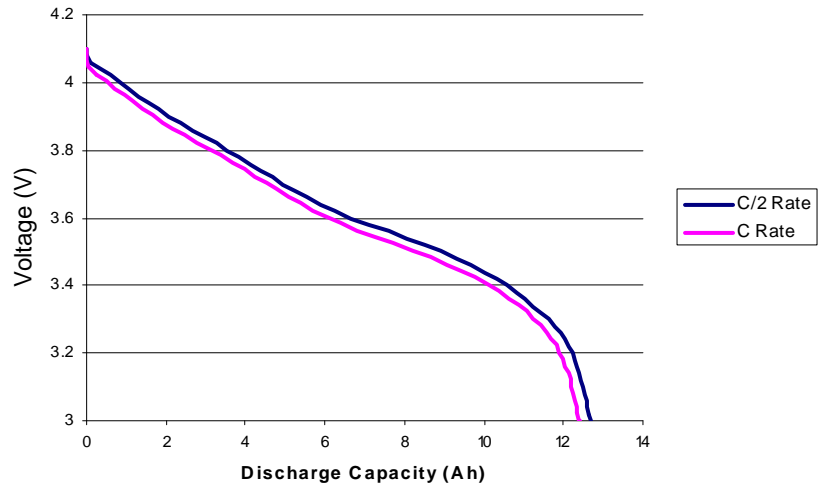




NCP12-2
Model LP30588
3.6V, 12 Ah High Rate Lithium Ion Cell

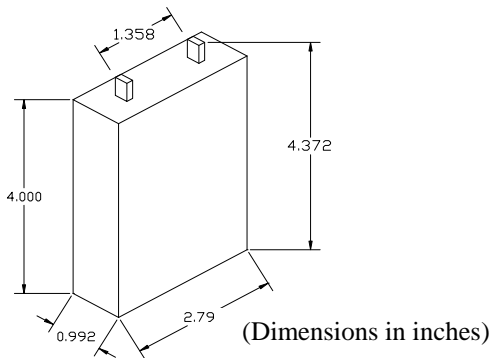


Typical Discharge Curves



Performance Data

Physical Dimensions



Cathode: Mixed Metal Oxide	Nominal Voltage: 3.6 VDC
Anode: Graphite	Nominal Weight: 0.422 kg
Electrolyte: EC:DMC:DEC:EMC	Cycle Life: > 2000 Cycles
Nominal Capacity: 12 Ah	Energy Density: 237 Wh/l
Pulse Current: 600 A (0.1 sec.)	Specific Energy: 102 Wh/kg
Continuous Current: 120 A (20 deg. C)	Coulombic Efficiency: 99%
Dimensions: (mm) 71W x 25T x 102H	Fade Rate: 0.01%/Cycle
Operating Temperature Range: -40C to +60C	

Yardney Technical Products, Inc.
82 Mechanic St.
Pawcatuck, CT 06379
PH: (860) 599-1100 FAX: (860) 599-3903
www.yardney.com