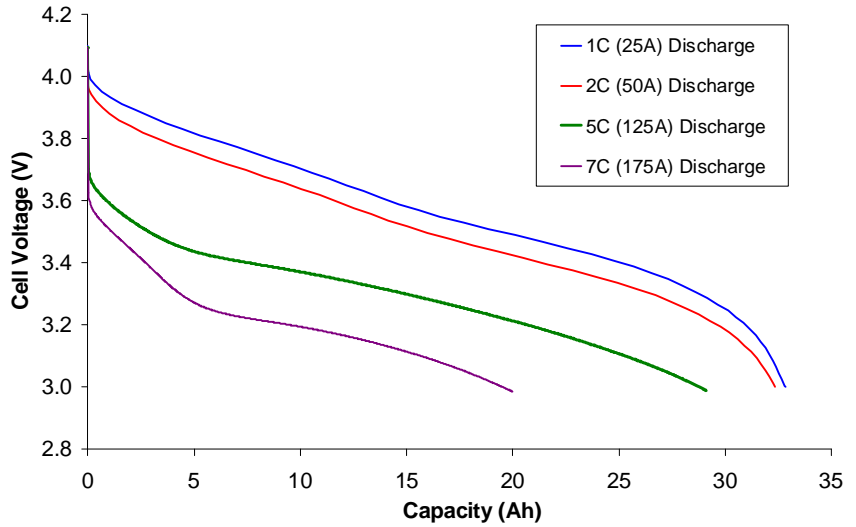


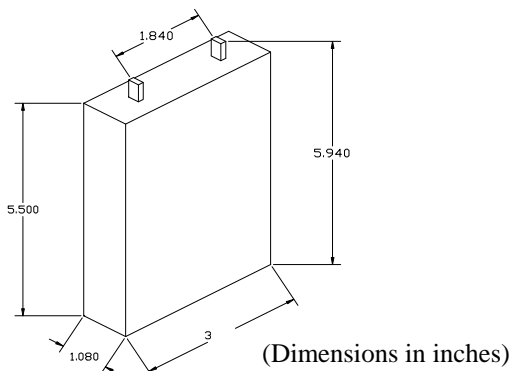


NCP25-1
Model LP30289
3.6V, 30 Ah Lithium Ion Cell

Typical Discharge Curves



Physical Dimensions



Performance Data

Cathode: Mixed Metal Oxide	Nominal Voltage: 3.6 VDC
Anode: Graphite	Nominal Weight: 0.890 kg
Electrolyte: EC:DMC:DEC:EMC	Cycle Life: > 2000 Cycles
Nominal Capacity: 30 Ah	Energy Density: 335 Wh/l
Pulse Current: 250 A (0.1 sec.)	Specific Energy: 145 Wh/kg
Continuous Current: 125 A (20 deg. C)	Coulombic Efficiency: 99+%
Dimensions: (mm) 95W x 28T x 140H	Fade Rate: 0.01%/Cycle
Operating Temperature Range: -20C to +50C	

Yardney Technical Products, Inc.
82 Mechanic St.
Pawcatuck, CT 06379
PH: (860) 599-1100 FAX: (860) 599-3903
www.yardney.com