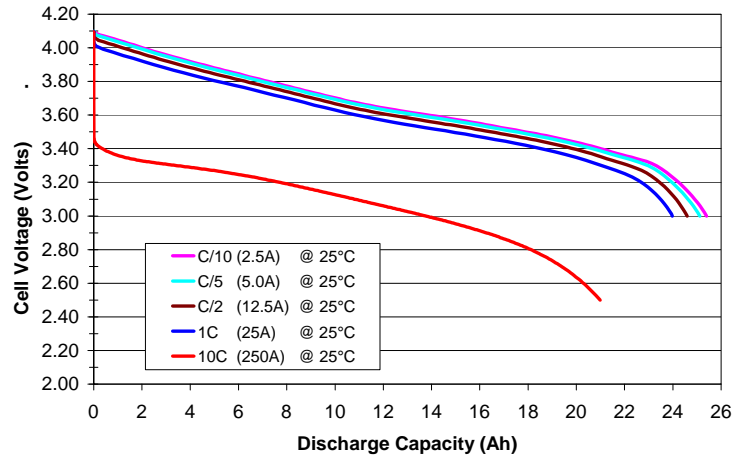
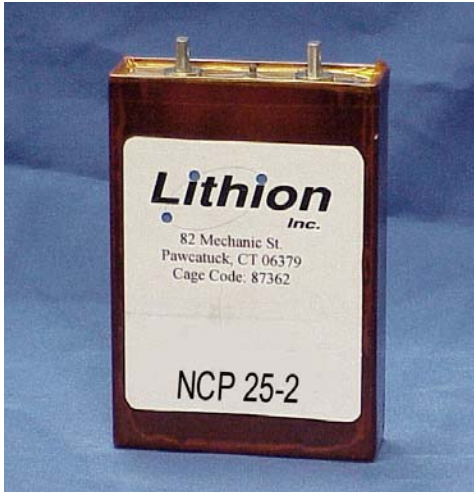


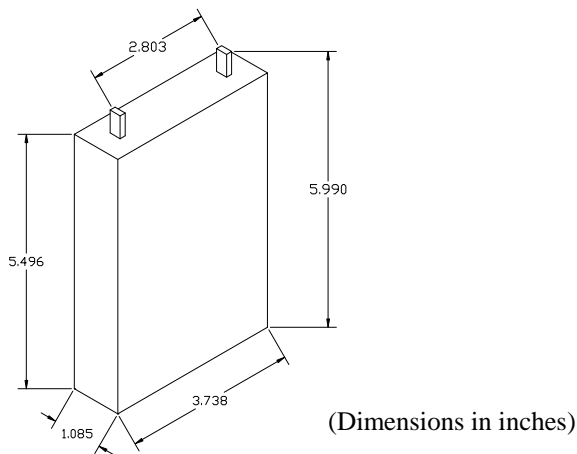


NCP25-2
Model LP31285
3.6V, 25Ah High Rate, Low Temp.
Lithium Ion Cell

Typical Discharge Curves



Physical Dimensions



Performance Data

Cathode: Mixed Metal Oxide	Nominal Voltage: 3.6 VDC
Anode: Graphite	Nominal Weight: 0.908 kg
Electrolyte: EC:DMC:DEC:EMC	Cycle Life: > 800 Cycles
Nominal Capacity: 25 Ah @ C/5	Energy Density: 250 Wh/l
Pulse Current: 1250 A (0.1 sec.)	Specific Energy: 105 Wh/kg
Continuous Current: 250 A (20 deg. C)	Coulombic Efficiency: 99+%
Dimensions: (mm) 95W x 28T x 140H	Fade Rate: 0.02%/Cycle
Operating Temperature Range: -40C to +60C	

Yardney Technical Products, Inc.
82 Mechanic St.
Pawcatuck, CT 06379
PH: (860) 599-1100 FAX: (860) 599-3903
www.yardney.com