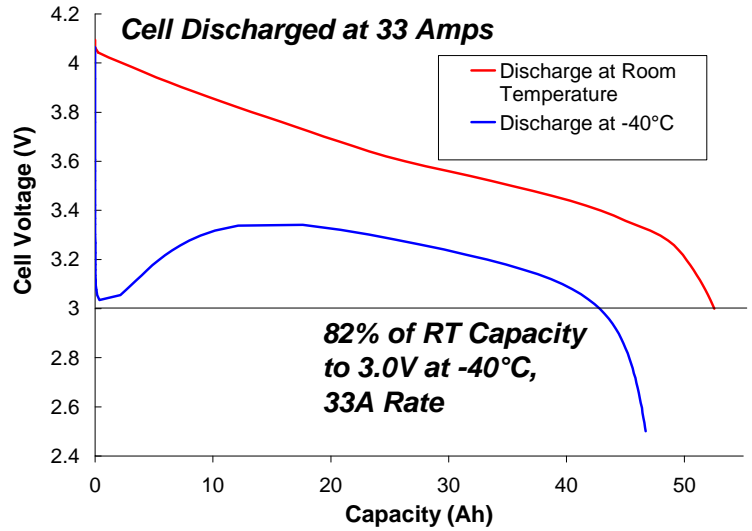




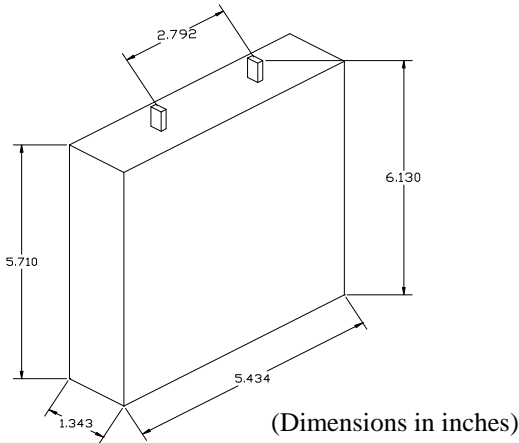
NCP55-1
Model LP30733
3.6V, 55Ah High Rate Lithium Ion Cell



Typical Discharge Curves



Physical Dimensions



Performance Data

Cathode: Lithiated Nickel Cobalt Oxide	Nominal Voltage: 3.6 VDC
Anode: Graphite	Nominal Weight: 1.60 kg
Electrolyte: EC:DMC:DEC	Cycle Life: >2000 Cycles
Nominal Capacity: 50 Ah	Energy Density: 265 Wh/l
Pulse Current: 400 A (0.1 sec.)	Specific Energy: 112.5 Wh/kg
Continuous Current: 200 A (20 deg. C)	Coulombic Efficiency: 99%
Dimensions: (mm) 138W x 34T x 145H	Fade Rate: 0.01%/Cycle
Operating Temperature Range: -40C to +70C	

Yardney Technical Products, Inc.
82 Mechanic St.
Pawcatuck, CT 06379
PH: (860) 599-1100 FAX: (860) 599-3903
www.yardney.com