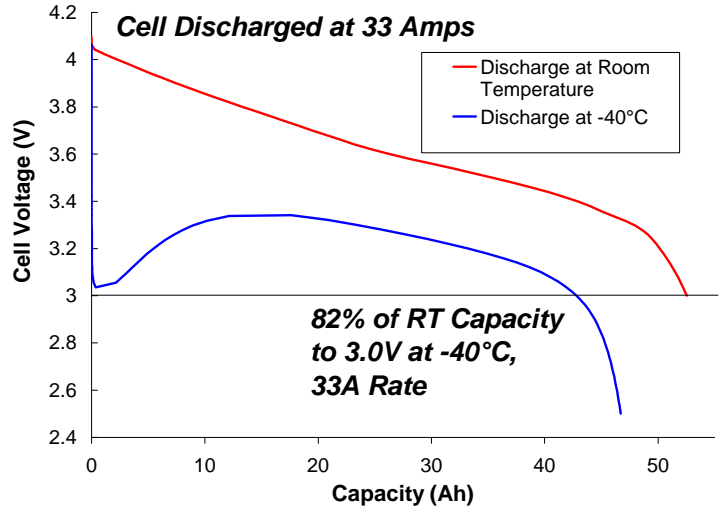




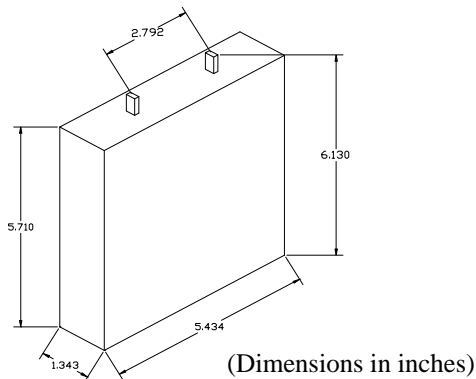
NCP55-2
Model LP31869
3.6V, 60Ah Lithium Ion Cell

Typical Discharge Curves



Performance Data

Physical Dimensions



Cathode: Lithiated Nickel Cobalt Oxide	Nominal Voltage: 3.6 VDC
Anode: Graphite	Nominal Weight: 1.582 kg
Electrolyte: EC:DMC:DEC	Cycle Life: > 2000 Cycles
Nominal Capacity: 55 Ah @ C/5	Energy Density: 291 Wh/l
Pulse Current: 300 A (0.1 sec.)	Specific Energy: 125.2 Wh/kg
Continuous Current: 100 A (20 deg. C)	Coulombic Efficiency: 99%
Dimensions: (mm) 138W x 34T x 145H	Fade Rate: 0.02%/Cycle
Operating Temperature Range: -20C to +50C	

Yardney Technical Products, Inc.
82 Mechanic St.
Pawcatuck, CT 06379
PH: (860) 599-1100 FAX: (860) 599-3903
www.yardney.com