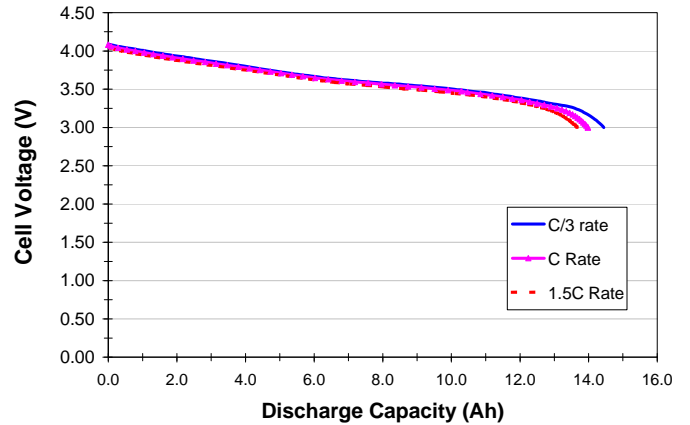




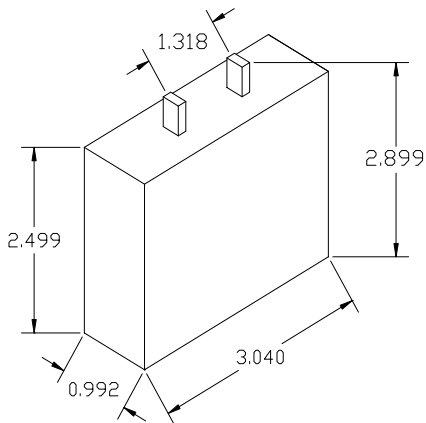
NCP8-1
Model LP30880
3.6V, 8 Ah Lithium Ion Cell



Typical Discharge Curves



Physical Dimensions



(Dimensions in inches)

Performance Data

Cathode: Mixed Metal Oxide	Nominal Voltage: 3.6 VDC
Anode: Graphite	Nominal Weight: 0.305 kg
Electrolyte: EC:DMC:DEC:EMC	Cycle Life: > 2000 Cycles
Nominal Capacity: 8 Ah	Energy Density: 320 Wh/l
Pulse Current: 80 A (0.1 sec.)	Specific Energy: 130 Wh/kg
Continuous Current: 40 A (20 deg C)	Coulombic Efficiency: 99%
Dimensions: (mm) 78W x 25T x 64H	Fade Rate: 0.01%/Cycle
Operating Temperature Range: -40C to +60C	

Lithion, Inc.
82 Mechanic St.
Pawcatuck, CT 06379
PH:(860) 599-1100 FAX:(860) 599-5122
www.lithion.com